

MACHINE PARTS CHART

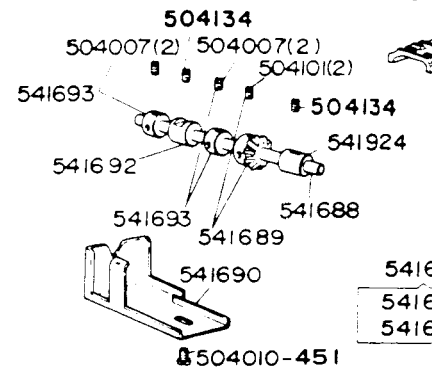
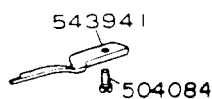
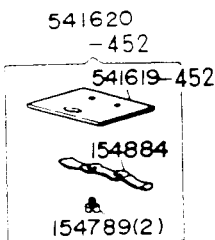
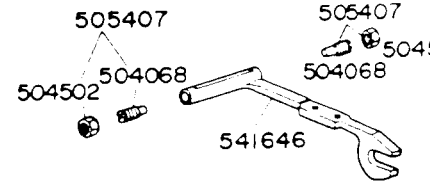
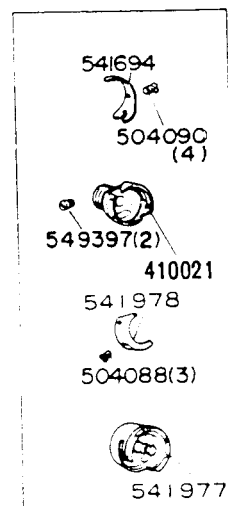
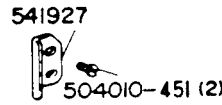
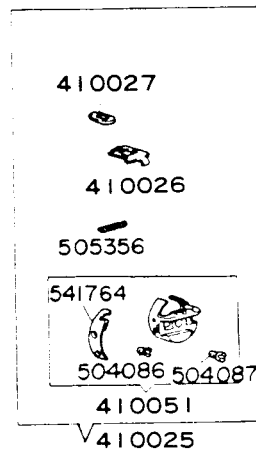
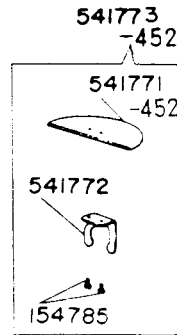
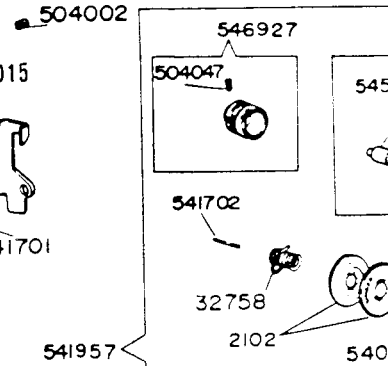
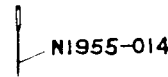
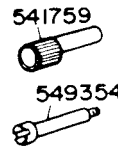
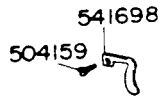
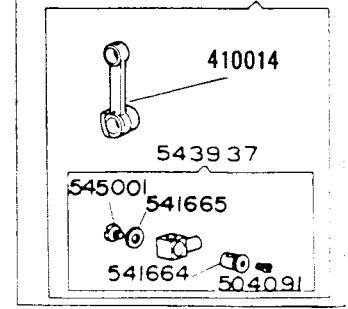
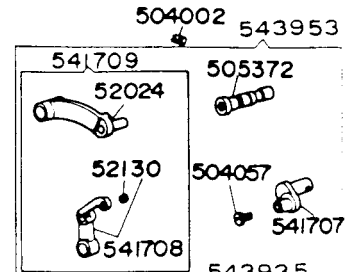
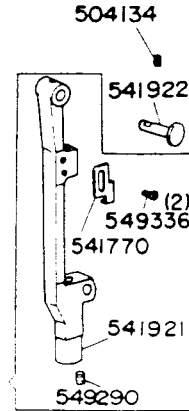
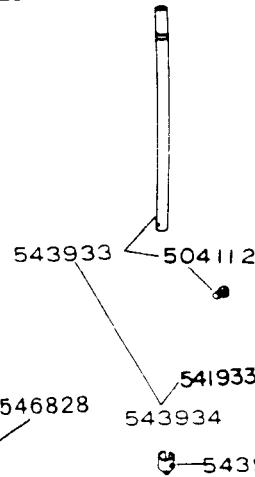
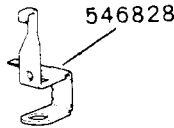
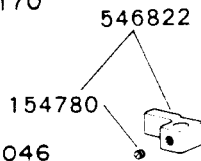
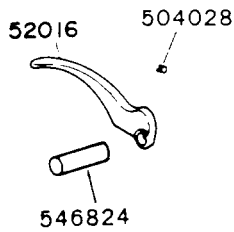
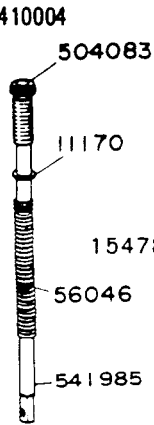
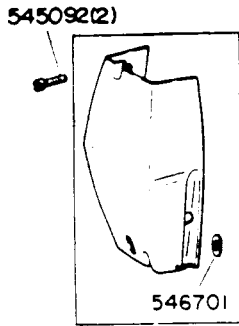
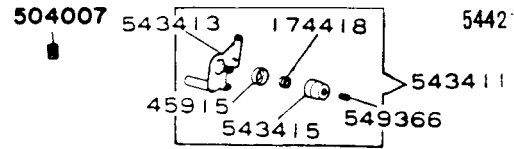
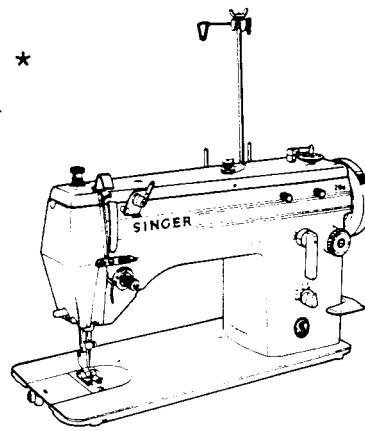
for

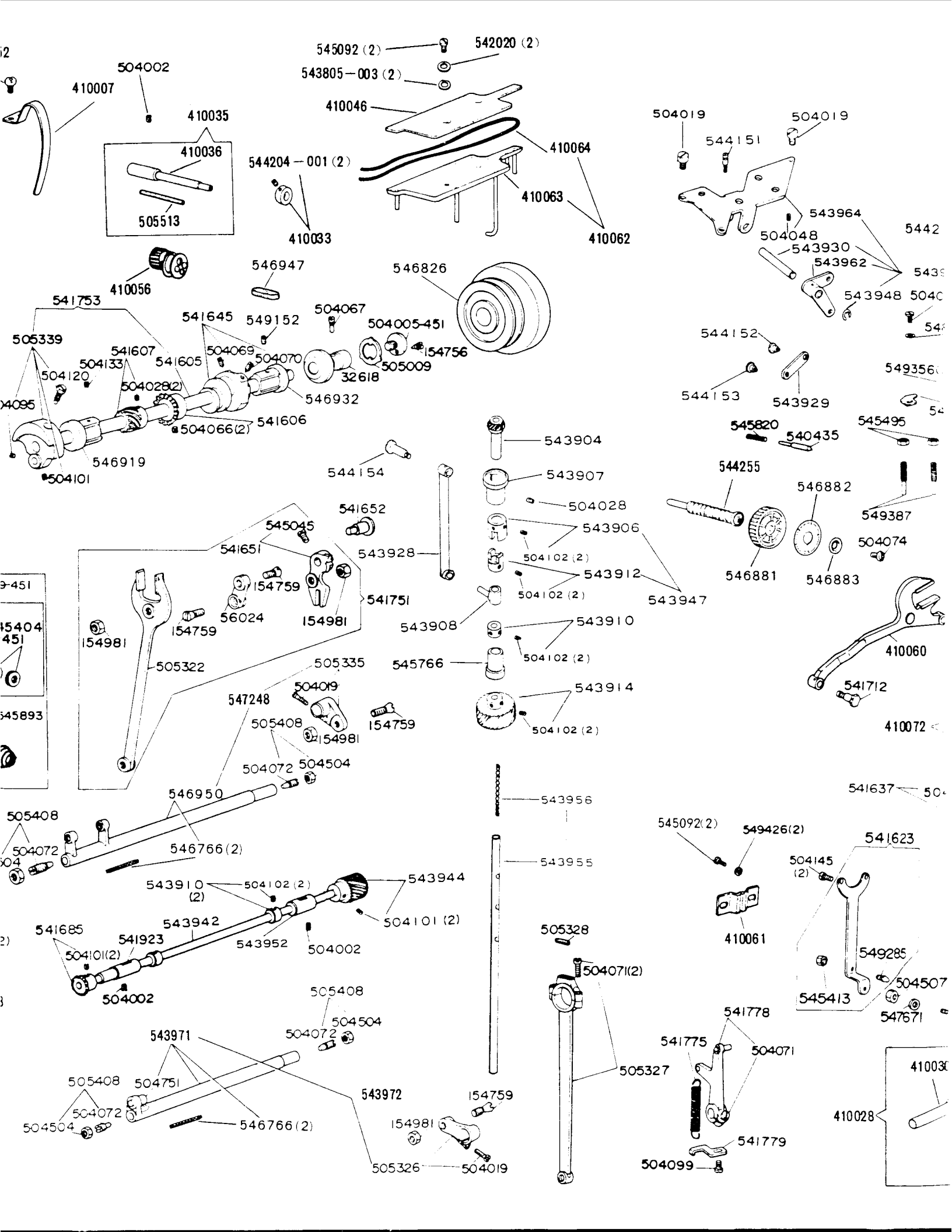
SINGER^{*}

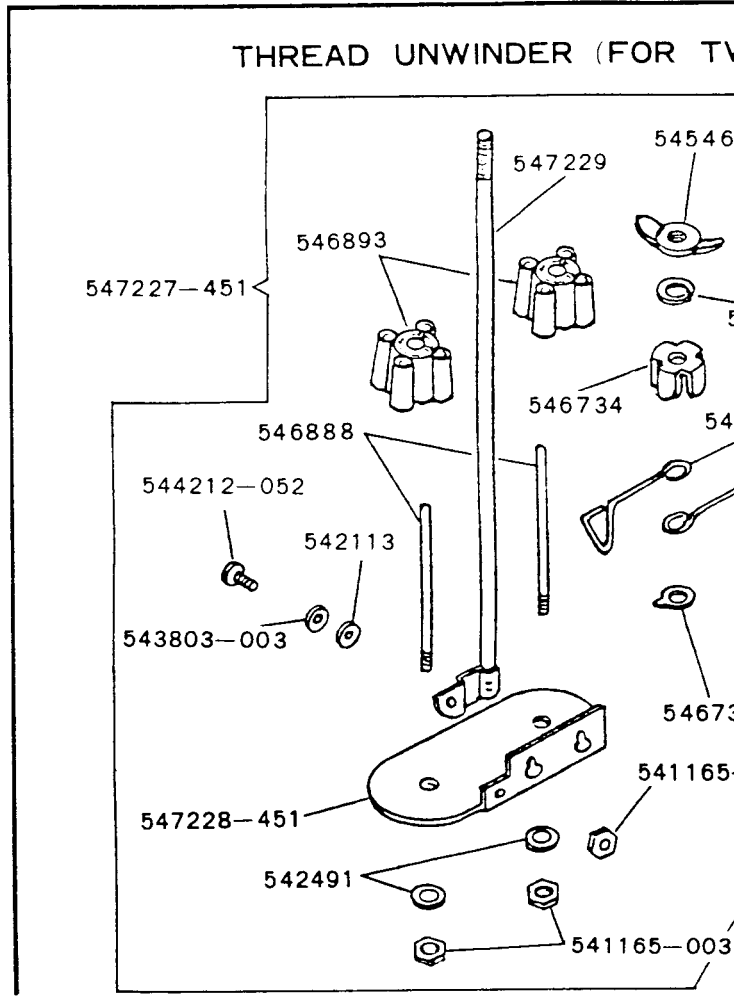
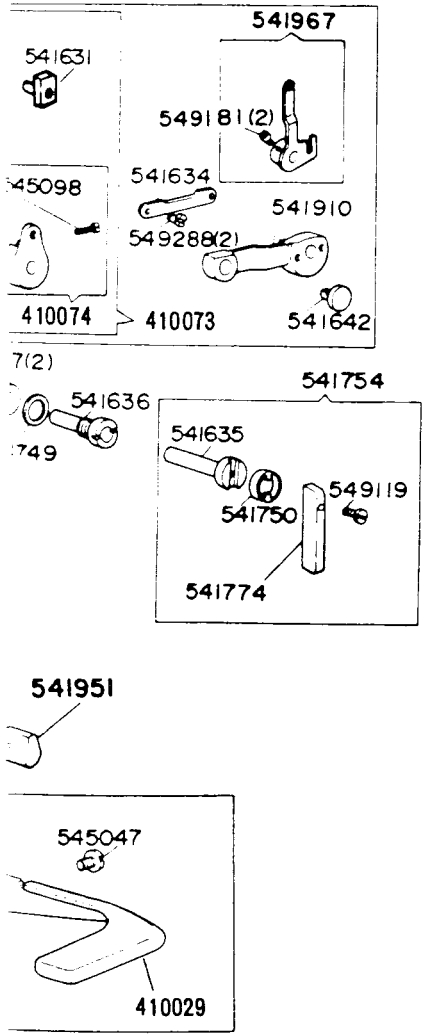
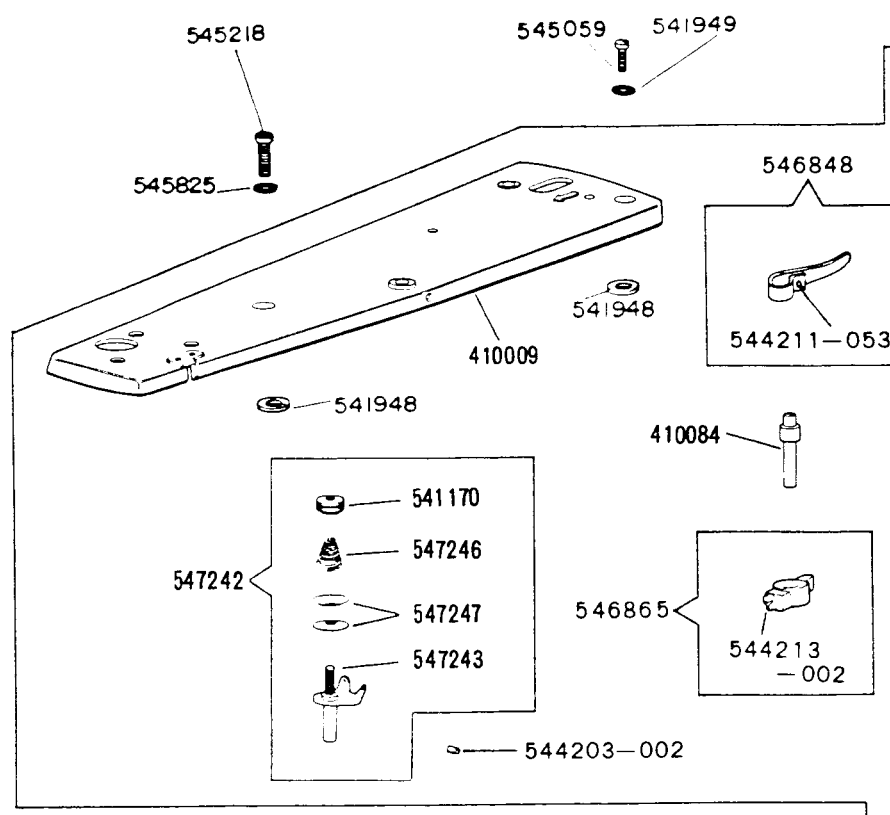
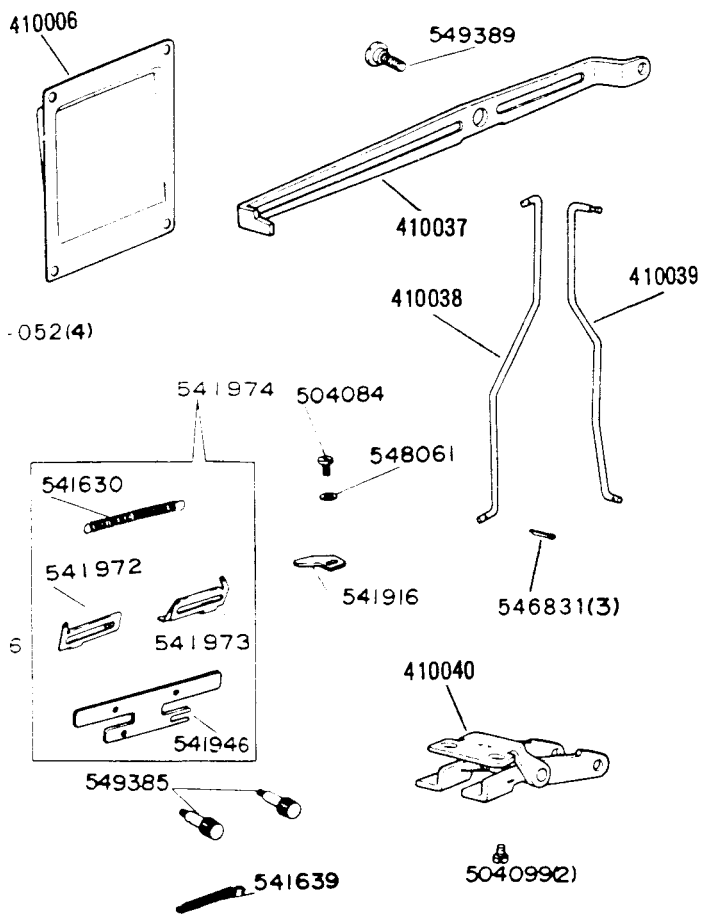
20U43

SINGER*

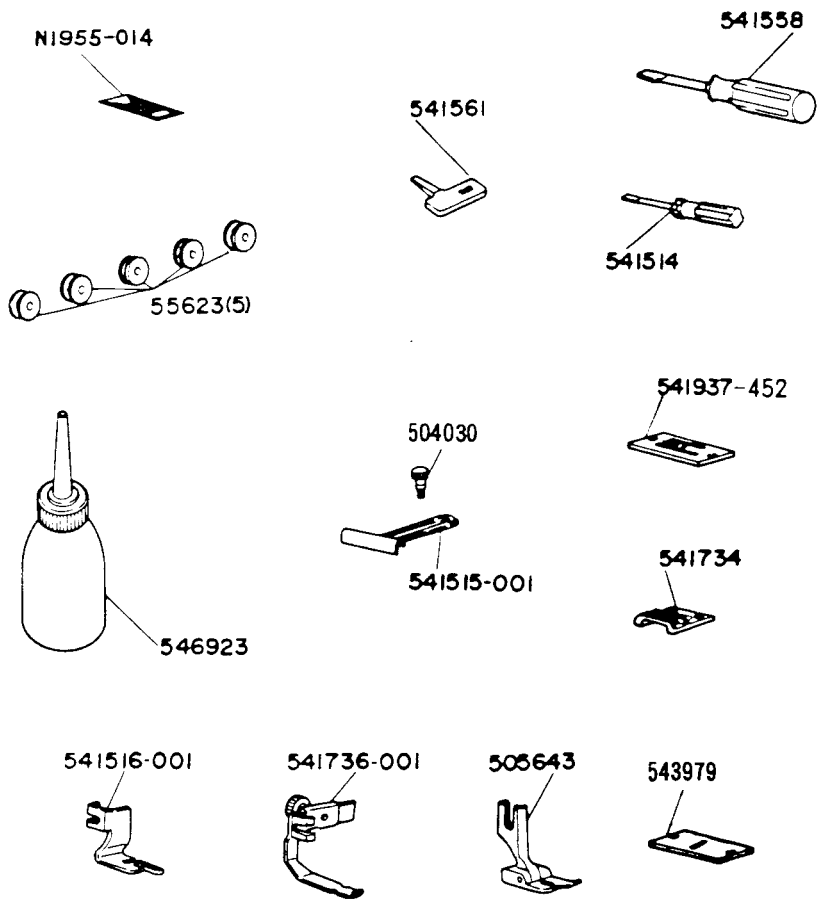
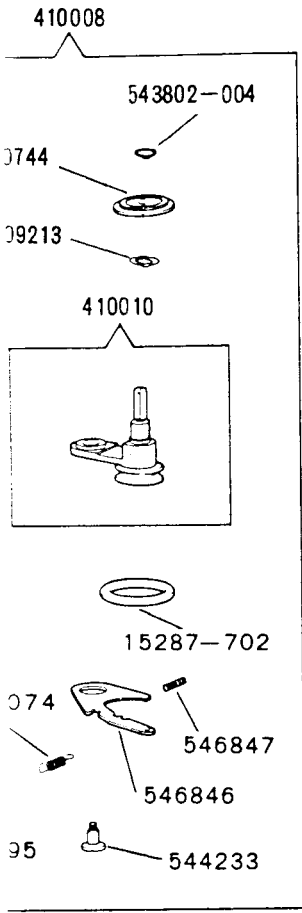
20U 43



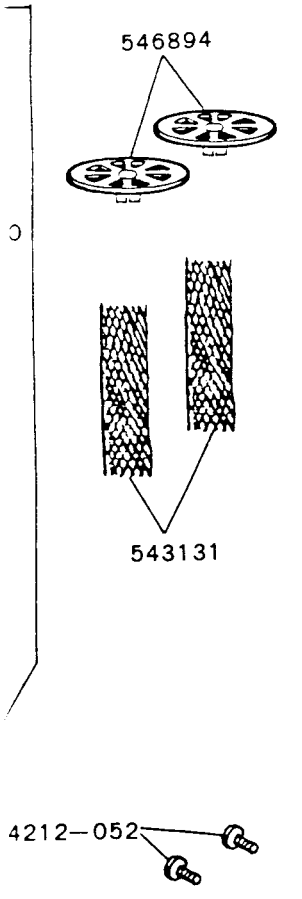




ACCESSORIES AND ATTACHMENTS



SPOOLS)



NUMERICAL LIST OF PARTS FOR 20043 M/C

| <u>PART NO.</u> | <u>DESCRIPTION</u> | <u>PART NO.</u> | <u>DESCRIPTION</u> |
|-----------------|---|-----------------|--|
| 691-845 | Throat Plate Screw (2) | 410744 | Bobbin Winder Spindle Guard |
| 2102 | Tension Disc (2) | 504002 | Zig-Zag Triangular Cam Shaft Set Screw |
| 11170 | Presser Bar Spring Washer | 504002 | Rotating Hook Drive Shaft Bushing (back) Set Screw |
| 15287-702 | Bobbin Winder Friction Ring | 504002 | Rotating Hook Drive Shaft Bushing (front) Set Screw |
| 32618 | Clamp Stop Motion Clamp Flanged Bushing | 504002 | Thread Take-up Lever Link Hinge Pin Set Screw |
| 32758 | Thread Take-up Spring | 504002 | Thread Take-up Spring Regulator Set Screw |
| 45915 | Pre-Tension Disc | 504005-451 | Clamp Stop Motion Clamp Screw |
| 52016 | Presser Bar Lifter | 504007 | Bight Amplitude Slide Block Crank Shaft Bushing Collar Set Screw (2) |
| 52024 | Thread Take-up Lever Link | 504007 | Pre-Tension Set Screw |
| 52130 | Thread Take-up Lever Thread Eyelet Bushing | 504007 | Rotating Hook Shaft Retainer Collar Screw (4) |
| 55623 | Rotating Hook Bobbin | 504010-451 | Needle Bar Connecting Link Guide Screw (2) |
| 56024 | Feed Connecting Link | 504010-451 | Rotating Hook Shaft Bevel Gear Cover Screw |
| 56046 | Presser Bar Spring | 504010-451 | Thread Guard (upper) Set Screw |
| 154756 | Clamp Stop Motion Clamp Stop Screw | 504019 | Feed Lifting Rock Shaft Crank Clamping Screw |
| 154759 | Feed Connecting Link Hinge Screw (2) | 504019 | Feed Rock Shaft Crank Clamping Screw |
| 154759 | Feed Forked Connection Hinge Screw | 504019 | Hook Advancing Crank Bracket Screw (left) (right) (2) |
| 154759 | Feed Lifting Rock Shaft Crank Connecting Rod Hinge Screw | 504028 | Presser Bar Lifter Pin Set Screw |
| 154780 | Presser Bar Guide Bracket Set Screw | 504028 | Arm Shaft (horizontal) Worm Gear Set Screw (2) |
| 154785 | Bed Plate Bracket Screw (2) | 504028 | Arm Shaft (upright) Bushing (upper) Set Screw |
| 154789 | Bed Slide Spring Screw (2) | 504047 | Tension Stud Set Screw |
| 154884 | Bed Slide Spring | 504048 | Hook Advancing Crank Shaft Set Screw |
| 154981 | Feed Connecting Link Hinge Screw Nut (2) | 504057 | Needle Bar Connecting Link Cap Screw |
| 154981 | Feed Forked Connection Hinge Screw Nut | 504063-451 | Presser Foot Screw |
| 154981 | Feed Lifting Rock Shaft Crank Connecting Rod Hinge Screw Nut | 504066 | Arm Shaft (horizontal) Bevel Gear Set Screw (2) |
| 174418 | Pre-Tension Spring | 504067 | Clamp Stop Motion Clamp Flanged Bushing Set Screw |
| 408074 | Bobbin Winder Bracket Regulating Plate Spring | 504068 | Feed Bar Screw Center (2) |
| 409213 | Bobbin Winder Spindle Guard Wave Washer | 504069 | Feed and Feed Lifting Eccentric Position Screw |
| 410004 | Face Plate with 546701 | 504070 | Feed and Feed Lifting Eccentric Set Screw |
| 410006 | Arm Side Cover | 504071 | Feed Lifting Rock Shaft Crank Connecting Rod Cap Screw (2) |
| 410007 | Thread Take-up Lever Guard | 504071 | Feed Reverse Lever Link Clamping Screw |
| 410008 | Arm Top Cover Complete, Nos. 15287-702, 408074, 409213, 410009, 410010, 410084, 410744, 543802-004, 544203-002, 544233, 546846, 546847, 546848, 546865, 546895, 547242 and two 541948 | 504072 | Feed Lifting Rock Shaft Screw Center (2) |
| 410009 | Arm Top Cover | 504072 | Feed Rock Shaft Screw Center (2) |
| 410010 | Bobbin Winder Bracket Complete | 504074 | Feed Regulating Stud Head Cap Screw |
| 410014 | Needle Bar Connecting Link | 504083 | Presser Regulating Thumb Screw |
| 410015 | Tension Releasing Lever | 504084 | Bight Amplitude Stop Plate (left) (right) Screw (2) |
| 410021 | Rotating Hook | 504084 | Rotating Hook Bobbin Case Holder Position Bracket Screw |
| 410025 | Rotating Hook Bobbin Case Complete, Nos. 410026, 410027, 410051 and 505356 | 504086 | Rotating Hook Bobbin Case Tension Regulating Screw |
| 410026 | Rotating Hook Bobbin Case Latch | 504087 | Rotating Hook Bobbin Case Tension Spring Screw |
| 410027 | Rotating Hook Bobbin Case Latch Lever | 504088 | Rotating Hook Section Screw (3) |
| 410028 | Feed Reverse Lever Complete, Nos. 410028, 410029 and 545047 | 504090 | Rotating Hook Thread Guard Screw (4) |
| 410029 | Feed Reverse Lever | 504091 | Needle Bar Set Screw |
| 410030 | Feed Reverse Lever Hinge Stud | 504095 | Thread Take-up Crank Position Screw |
| 410033 | Zig-Zag Triangular Cam Shaft Collar with two 544204 | 504099 | Feed Reverse Lever Return Spring Bracket Screw |
| 410035 | Zig-Zag Triangular Cam Shaft Complete, Nos. 410036 and 505513 | 504099 | Bell Crank Bracket Screw (2) |
| 410036 | Zig-Zag Triangular Cam Shaft | 504101 | Rotating Hook Drive Shaft Screw Gear (back) Set Screw(2) |
| 410037 | Lifting Lever | 504101 | Rotating Hook Drive Shaft Bevel Gear (front) Set Screw(2) |
| 410038 | Lifting Lever Connecting Rod | 504101 | Rotating Hook Shaft Bevel Gear Set Screw (2) |
| 410039 | Bight Amplitude Slide Block Crank Knee Operating Connection | 504101 | Thread Take-up Crank Set Screw |
| 410040 | Bell Crank Complete | 504102 | Arm Shaft (upright) Bevel Gear (upper) Joint Set Screw (2) |
| 410046 | Oil Reservoir Felt | 504102 | Arm Shaft (upright) Retainer Collar Set Screw (2) |
| 410051 | Rotating Hook Bobbin Case with 504086, 504087 and 541764 | 504102 | Rotating Hook Drive Shaft Retainer Collar Set Screw (4) |
| 410054 | Rotating Hook and Rotating Hook Bobbin Case Holder Complete, Nos. 410021, 541694, 541977, 541978, two 549397, three 504086, and four 504090 | 504102 | Arm Shaft (upright) Retainer Joint Set Screw |
| 410056 | Zig-Zag Triangular Cam Gear and Zig-Zag Triangular Cam Complete | 504102 | Arm Shaft (upright) Screw Gear Set Screw (2) |
| 410060 | Zig-Zag Stitch Regulator Fork | 504112 | Needle Set Screw |
| 410061 | Bight and L-C-R Position Block | 504120 | Needle Bar Crank Position Screw |
| 410062 | Oil Reservoir 410063 with 410064 | 504133 | Arm Shaft (horizontal) Flanged Bushing (front) Set Screw |
| 410063 | Oil Reservoir | 504134 | Needle Bar Frame Pin Set Screw |
| 410064 | Oil Reservoir Oil Wick | 504134 | Rotating Hook Shaft Bushing (short) Set Screw |
| 410072 | Bight Amplitude Slide Block Crank 541967 with 410073, 541434, 541442, 541910 and two 543288 | 504134 | Rotating Hook Shaft Bushing (long) Set Screw |
| 410073 | Bight Amplitude Slide Block Guide 410074 with 541631 | 504145 | Bight and L-C-R Position Lever Set Screw (2) |
| 410074 | Bight Amplitude Slide Block Guide with 545996 | 504159 | Slack Thread Regulator Set Screw |
| 410084 | Bobbin Winder Latch Stud | 504532 | Feed Bar Screw Center Nut (2) |
| | | 504534 | Feed Lifting Rock Shaft Screw Center Nut (2) |
| | | 504534 | Feed Rock Shaft Screw Center Nut (2) |
| | | 504537 | Bight and L-C-R Position Lever Thumb Stud Nut |
| | | 504751 | Feed Lifting Rock Shaft Roller and Stud |
| | | 505001 | Arm Jewel Pin (2) |
| | | 505006 | Clamp Stop Motion Clamp Washer |
| | | 505320 | Feed Forked Connection |
| | | 505326 | Feed Lifting Rock Shaft Crank with 544019 |
| | | 505327 | Feed Lifting Rock Shaft Crank Connecting Rod with two 504071 |

NUMERICAL LIST OF PARTS FOR 20043 M/C

| <u>PART NO.</u> | <u>DESCRIPTION</u> | <u>PART NO.</u> | <u>DESCRIPTION</u> |
|-----------------|--|-----------------|---|
| 505328 | Feed Lifting Rock Shaft Crank Connecting Rod Cap Oil Pad (felt) | 541772 | Bed Plate Bracket |
| 505335 | Feed Rock Shaft Crank with 504019 | 541773-452 | Bed Plate Complete, Nos. 541771-452 with 541772 and two 154785 |
| 505339 | Needle Bar Crank with 504095, 504101 and 504120 | 541774 | Bight Amplitude Slide Block Crank Shaft Knob |
| 505356 | Rotating Hook Bobbin Case Latch Spring | 541775 | Feed Reverse Lever Return Spring |
| 505372 | Thread Take-up Lever Link Hinge Pin | 541778 | Feed Reverse Lever Link with 504071 |
| 505407 | Feed Bar Screw Center 504068 with 504502 (2) | 541779 | Feed Reverse Lever Return Spring Bracket (hook) |
| 505408 | Feed Lifting Rock Shaft Screw Center 504072 with 504504 (2) | 541910 | Bight and L-C-R Position Lever Arm |
| 505408 | Feed Rock Shaft Screw Center 504072 with 504504 (2) | 541916 | Bight Amplitude Stop Plate (left) (right) (2) |
| 505513 | Zig-Zag Triangular Cam Shaft Oil Wick | 541921 | Needle Bar Frame |
| 540435 | Feed Regulating Stud Lock Pin | 541922 | Needle Bar Frame Pin |
| 540472 | Thread Guard (upper) | 541923 | Rotating Hook Drive Shaft Bushing (front) |
| 540682 | Tension Spring | 541924 | Rotating Hook Shaft Bushing (long) |
| 541170 | Bobbin Winder Tension Nut | 541927 | Needle Bar Connecting Link Guide |
| 541605 | Arm Shaft (horizontal) | 541933 | Needle Bar Frame 541921 with 541770, 549290 and two 549336 |
| 541606 | Arm Shaft (horizontal) Bevel Gear with two 504066 | 541946 | Bight Amplitude Regulating Plate Holder |
| 541607 | Arm Shaft (horizontal) Worm Gear with two 504028 | 541948 | Arm Top Cover Cushion (2) |
| 541619-452 | Bed Slide | 541949 | Arm Top Cover Screw (back) O-Ring |
| 541620-452 | Bed Slide Complete, Nos. 154884, 541619-452 and two 154789 | 541951 | Bight and L-C-R Position Lever Thumb Stud |
| 541623 | Bight and L-C-R Position Lever Complete, Nos. 545413 and 549285 | 541957 | Tension Complete, Nos. 32752, 540682, 541702, 545893, 545899-451, 546927 and two 2102 |
| 541630 | Bight Amplitude Regulating Plate Spring | 541967 | Bight Amplitude Slide Block Crank with two 549181 |
| 541631 | Bight Amplitude Slide Block | 541972 | Bight Amplitude Regulating Plate (left) |
| 541634 | Bight Amplitude Slide Block Crank Link | 541973 | Bight Amplitude Regulating Plate (right) |
| 541635 | Bight Amplitude Slide Block Crank Shaft | 541974 | Bight Amplitude Regulating Plate Holder and Bight Amplitude Regulating Plate Complete, Nos. 541630, 541946, 541972 and 541973 |
| 541636 | Bight Amplitude Slide Block Crank Shaft Bushing | 541977 | Rotating Hook Bobbin Case Holder |
| 541637 | Bight Amplitude Slide Block Crank Shaft Bushing Collar with two 504007 | 541978 | Rotating Hook Section |
| 541639 | Bight Amplitude Slide Block Crank Spring | 541985 | Presser Bar |
| 541642 | Bight Amplitude Slide Block Guide Stud | 542020 | Oil Reservoir Set Screw Washer (2) |
| 541645 | Feed and Feed Lifting Eccentric with 504069 and 504070 | 543411 | Pre-Tension Complete, Nos. 45915, 174418, 543413, 543415 and 545366 |
| 541646 | Feed Bar | 543413 | Pre-Tension Bracket |
| 541651 | Feed Regulator with 545045 | 543415 | Pre-Tension Cap |
| 541652 | Feed Regulator Hinge Stud | 543802-004 | Bobbin Winder Spindle Guard Retaining Ring |
| 541664 | Needle Bar Connecting Stud Hinge Pin | 543805-003 | Oil Reservoir Set Screw Spring Lock Washer (2) |
| 541665 | Needle Bar Connecting Stud Hinge Pin Washer | 543904 | Arm Shaft (upright) Bevel Gear (upper) |
| 541685 | Rotating Hook Drive Shaft Bevel Gear (front) with two 504101 | 543906 | Arm Shaft (upright) Bevel Gear (upper) Joint with two 504102 |
| 541688 | Rotating Hook Shaft | 543907 | Arm Shaft (upright) Bushing (upper) |
| 541689 | Rotating Hook Shaft Bevel Gear with two 504101 | 543908 | Arm Shaft (upright) Connecting Stud |
| 541690 | Rotating Hook Shaft Bevel Gear Cover | 543910 | Arm Shaft (upright) Retainer Collar with two 504102 |
| 541692 | Rotating Hook Shaft Bushing (short) | 543910 | Rotating Hook Drive Shaft Retainer Collar with two 504102 (2) |
| 541693 | Rotating Hook Shaft Retainer Collar with two 504007 (2) | 543912 | Arm Shaft (upright) Retainer Joint with two 504102 |
| 541694 | Rotating Hook Thread Guard | 543914 | Arm Shaft (upright) Screw Gear (lower) with two 504102 |
| 541696 | Set of Gears (lower, front) Nos. 541685 and 541689 | 543928 | Hook Advancing Crank Connecting Rod |
| 541698 | Slack Thread Regulator | 543929 | Hook Advancing Crank Link |
| 541701 | Tension Releasing Lever Spring | 543930 | Hook Advancing Crank Shaft |
| 541702 | Tension Releasing Pin | 543933 | Needle Bar (hollow) with 504112 |
| 541707 | Thread Take-up Crank | 543934 | Needle Bar (hollow) 543933 with 541933 |
| 541708 | Thread Take-up Lever with 52130 | 543935 | Needle Bar Connecting Link 410214 with 543937 |
| 541709 | Thread Take-up Lever Complete, Nos. 52024 and 541708 | 543937 | Needle Bar Connecting Stud with 504091, 545001, 541664 and 541665 |
| 541712 | Zig-Zag Stitch Regulator Fork Eccentric Connection Pin | 543938 | Needle Bar Thread Guard |
| 541749 | Bight Amplitude Slide Block Crank Shaft Bushing Washer | 543939 | Presser Foot (spring hinged) Complete |
| 541750 | Bight Amplitude Slide Block Crank Shaft Ring | 543941 | Rotating Hook Bobbin Case Holder Position Bracket |
| 541751 | Feed Forked Connection 505322 with 56024, 541651, two 154759 and two 154981 | 543942 | Rotating Hook Drive Shaft |
| 541753 | Arm Shaft (horizontal) and Needle Bar Crank Complete, Nos. 505339 and 541605 | 543944 | Rotating Hook Drive Shaft Screw Gear (back) with two 504101 |
| 541754 | Bight Amplitude Slide Block Crank Shaft Knob 541774 with 541636, 541750 and 549112 | 543947 | Arm Shaft (upright) Retainer Joint Complete, Nos. 543912 and 543904 |
| 541759 | Needle Bar Frame Clamping Stud | 543948 | Hook Advancing Crank Shaft Snap Ring |
| 541764 | Rotating Hook Bobbin Case Tension Spring | 543952 | Rotating Hook Drive Shaft Bushing (back) |
| 541770 | Needle Bar Timing Indicator Plate | 543953 | Thread Take-up Complete, Nos. 504057, 505372, 541707, 541709 and 543935 |
| 541771-452 | Bed Plate | 543955 | Arm Shaft (upright) with 543956 |
| | | 543956 | Arm Shaft (upright) Oil Wick |
| | | 543962 | Hook Advancing Crank |
| | | 543964 | Hook Advancing Crank Bracket with 504048 |
| | | 543965 | Hook Advancing Crank and Hook Advancing Crank Bracket Complete, Nos. 543960, 543964, 541972 and 543964 |
| | | 543971 | Feed Lifting Rock Shaft with 504751 and two 54778 |

NUMERICAL LIST OF PARTS FOR 20U-2 M/C

| <u>PART NO.</u> | <u>DESCRIPTION</u> | <u>PART NO.</u> | <u>DESCRIPTION</u> |
|-----------------|--|-----------------|--|
| 543972 | Feed Lifting Rock Shaft Complete, Nos. 505326 and 543971 | 548061 | Bight Amplitude Stop Plate (left) (right) Washer (2) |
| 543977 | Throat Plate (for zig-zag stitching) | 549119 | Bight Amplitude Slide Block Crank Shaft Knob Set Screw |
| 543978 | Feed Dog | 549152 | Arm Shaft (horizontal) Flanged Bushing (back) Set Screw |
| 544054 | Arm Screw | 549181 | Bight Amplitude Slide Block Crank Set Screw (2) |
| 544151 | Hook Advancing Crank Bracket Screw | 549285 | Bight and L-C-R Position Lever Screw Pin |
| 544152 | Hook Advancing Crank Link Hinge Screw (back) | 549288 | Bight Amplitude Slide Block Crank Link Hinge Screw (2) |
| 544153 | Hook Advancing Crank Link Hinge Screw (front) | 549290 | Zig-Zag Stitch Regulator Fork Eccentric Connecting Pin Set Screw |
| 544154 | Hook Advancing Crank Connecting Rod Hinge Screw | 549336 | Needle Bar Timing Indicator Plate Screw (2) |
| 544203-002 | Bobbin Winder Tension Set Screw | 549354 | Needle Bar Frame Clamping Stud Screw |
| 544204-001 | Zig-Zag Triangular Cam Shaft Collar Set Screw (2) | 549356 | Bight Amplitude Regulating Plate Holder Set Screw (2) |
| 544211-053 | Bobbin Winder Latch Screw | 549366 | Pre-Tension Cap Screw |
| 544212-052 | Arm Side Cover Set Screw (4) | 549376 | Feed Dog Screw (2) |
| 544213-002 | Bobbin Winder Regulator Set Screw | 549285 | Bight Amplitude Regulating Plate Thumb Screw (2) |
| 544217-052 | Thread Take-up Lever Guard Set Screw | 549387 | Bight and L-C-R Position Lever Arm Regulating Screw (2) |
| 544233 | Bobbin Winder Bracket Hinge Screw | 549389 | Lifting Lever Hinge Screw |
| 544255 | Feed Regulating Stud | 549397 | Rotating Hook Set Screw (2) |
| 545001 | Needle Bar Connecting Stud Hinge Pin Screw | 549426 | Bight and L-C-R Position Block Washer (2) |
| 545045 | Feed Regulator Hinge Stud Set Screw | N1955-014 | Needle (size #14) with Pontoon C.A.E. |
| 545047 | Feed Reverse Lever Hinge Stud Cap Screw | | |
| 545059 | Arm Top Cover Screw (back) | | |
| 545092 | Face Plate Screw (2) | | |
| 545092 | Oil Reservoir Set Screw (2) | | |
| 545092 | Bight and L-C-R Position Block Set Screw (2) | | |
| 545098 | Bight Amplitude Slide Block Guide Stud Set Screw | | |
| 545218 | Arm Top Cover Screw (front) | 55623 | Rotating Hook Bobbin (5) |
| 545260 | Tension Releasing Lever Hinge Screw | 504030 | Cloth Guide Thumb Screw |
| 545404-451 | Tension Regulating Thumb Nut (2) | 505643 | Presser Foot (spring hinged) Complete (for straight stitching) |
| 545413 | Bight and L-C-R Position Lever Screw Pin Nut | 541514 | Screw Driver (small) |
| 545495 | Bight and L-C-R Position Lever Arm Regulating Screw Nut (2) | 541515-001 | Cloth Guide (purchased part) |
| 545766 | Arm Shaft (upright) Bushing (lower) | 541516-001 | Hemmer Foot (1/8 hem) (purchased part) |
| 545820 | Feed Regulating Stud Lock Pin Spring | 541558 | Screw Driver (large) |
| 545825 | Arm Top Cover Screw (front) O-Ring | 541561 | Screw Driver (for throat plate) |
| 545893 | Tension Releasing Disc | 541734 | Feed Dog (for straight stitching) |
| 545898 | Tension Stud | 541736-001 | Zipper Foot (purchased part) |
| 545899-451 | Tension Stud 545898 with two 545404-451 | 541937-452 | Throat Plate (for straight stitching) |
| 546701 | Face Plate Washer (rubber) | 543979 | Throat Plate (for embroidery) |
| 546766 | Feed Lifting Rock Shaft Oil Wick (2) | 546923 | Oiler (130 cc, filled with type "B" oil) |
| 546766 | Feed Rock Shaft Oil Wick (2) | N1955-014 | Needle (size #14) with Pontoon C.A.E.(3) |
| 546822 | Presser Bar Guide Bracket with 154780 | | |
| 546824 | Presser Bar Lifter Pin | | |
| 546826 | Handwheel | | |
| 546828 | Presser Bar Lifting and Releasing Lever Bracket | 541165-003 | Thread Unwinder Thread Guide Holder Bracket Hinge Screw Nut |
| 546831 | Lifting Lever Connecting Rod Pin (2) | 541165-003 | Thread Unwinder Spool Pin Nut (2) |
| 546831 | Bight Amplitude Slide Block Crank Knee Operating Connection Pin | 542113 | Thread Unwinder Thread Guide Holder Bracket Hinge Screw Friction Washer |
| 546846 | Bobbin Winder Bracket Regulating Plate | 542491 | Thread Unwinder Spool Pin Spring Washer (2) |
| 546847 | Bobbin Winder Bracket Spring | 543131 | Thread Unwinder Spool Net (2) |
| 546848 | Bobbin Winder Latch with 544211-053 | 543803-003 | Thread Unwinder Thread Guide Holder Bracket Hinge Screw Washer |
| 546865 | Bobbin Winder Regulator with 544213-002 | 544212-052 | Thread Unwinder Thread Guide Holder Bracket Hinge Screw |
| 546881 | Feed Regulating Stud Head | 544212-052 | Thread Unwinder Spool Mounting Bracket Screw (2) |
| 546882 | Feed Regulating Stud Head Plate | 545465 | Thread Unwinder Thread Guide Lock Nut |
| 546883 | Feed Regulating Stud Head Plate Retainer | 546734 | Thread Unwinder Thread Guide Position Cup |
| 546895 | Bobbin Winder Bracket Regulating Plate Spring Stud | 546735 | Thread Unwinder Thread Guide Rod Washer |
| 546919 | Arm Shaft (horizontal) Flanged Bushing (front) | 546740 | Thread Unwinder Thread Guide Lock Nut Spring Washer |
| 546927 | Thread Take-up Spring Regulator with 504047 | 546888 | Thread Unwinder Spool Pin (2) |
| 546932 | Arm Shaft (horizontal) Flanged Bushing (back) | 546891 | Thread Unwinder Thread Guide (2) |
| 546947 | Arm Shaft (horizontal) Flanged Bushing (back) Oil Pad (felt) | 546893 | Thread Unwinder Spool Holder (2) |
| 546950 | Feed Rock Shaft with two 546766 | 546894 | Thread Unwinder Spool Cap (2) |
| 547242 | Bobbin Winder Tension Complete, Nos. 541172, 547243, 547246 and two 547247 | 547227-451 | Thread Unwinder (for two spools) Complete, Nos. 541165-003, 542113, 543803-003, 544212-052, 545465, 546734, 546735, 546740, 547228-451, 547229, two each 541165-003, 542491, 546888, 546891 and 546892 |
| 547243 | Bobbin Winder Tension Stud Complete | | |
| 547246 | Bobbin Winder Tension Spring | 547228-451 | Thread Unwinder Spool Mounting Bracket |
| 547247 | Bobbin Winder Tension Disc | 547229 | Thread Unwinder Thread Guide Holder and Bracket Complete |
| 547248 | Feed Rock Shaft and Feed Rock Shaft Crank Complete, Nos. 505335 and 546950 | | |
| 547671 | Bight and L-C-R Position Lever Thumb Stud Nut Spring Washer | | |

ACCESSORIES AND ATTACHMENTS

(Supplied with Machine)

THREAD UNWINDER (FOR TWO SPOOLS)

(Supplied with Machine)