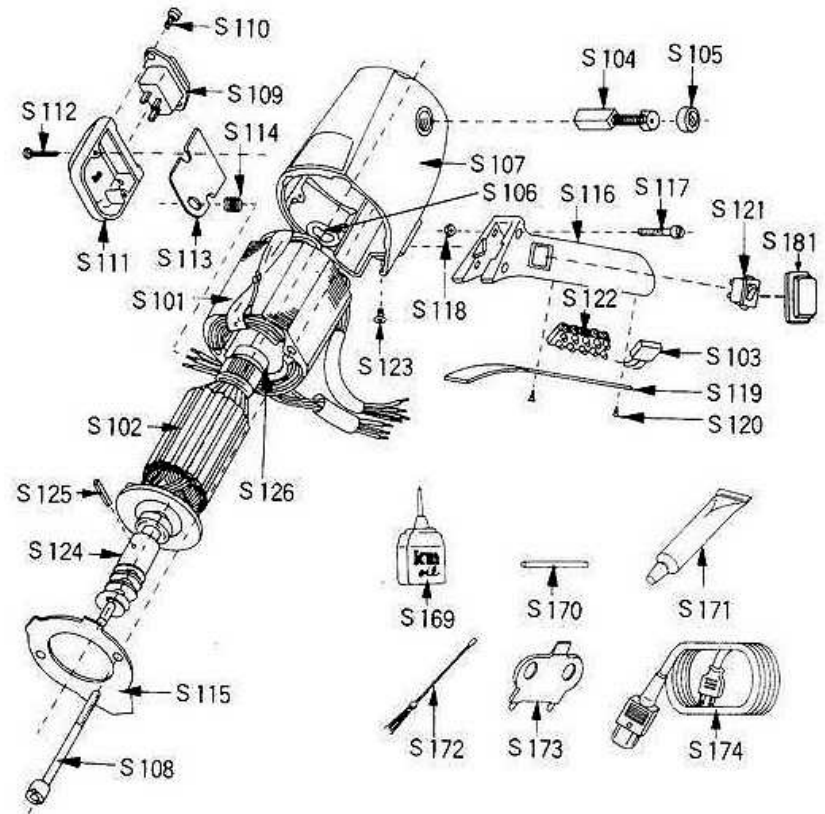
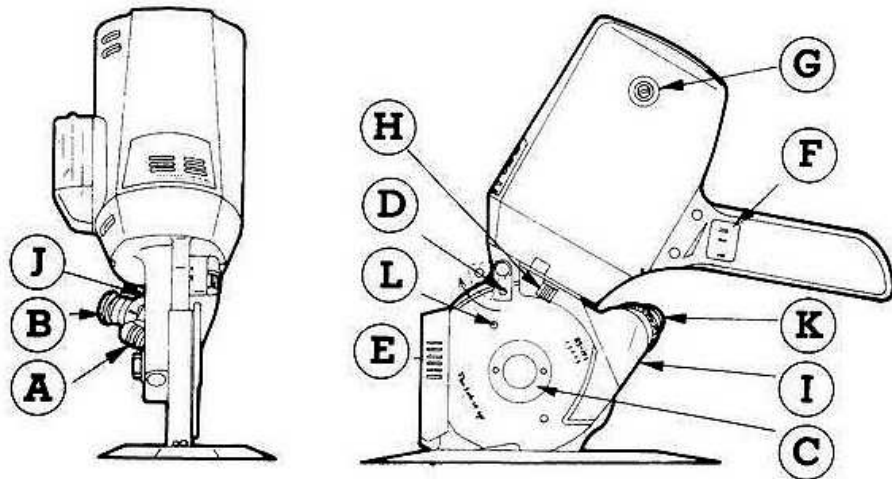




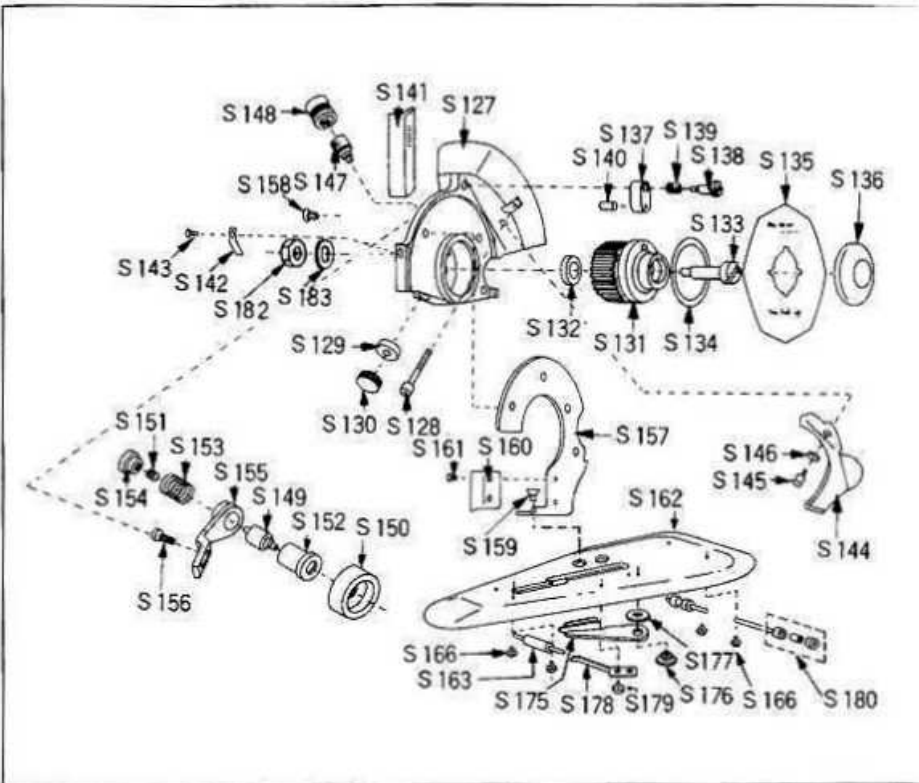
RSD 100 Parts List



Other standard accessories:

- | | |
|------------------------|--------|
| Knife(S135) | 1 pc. |
| Carbon brush(S104) | 1 set. |
| Grinding wheel(S150) | 1 pc. |
| Knife oiler felt(S140) | 1 pc. |

0151 525 0511



PART NO.	PART NAME
S-101	Stator
S-102	Rotor
S-103	Condenser
S-104	Carbon Brush
S-105	Cap for Carbon Brush
S-106	Wave Washer

PART NO.	PART NAME
S-107	Motor Cover
S-108	Screw for Stator
S-109	Terminal
S-110	Screw for Terminal
S-111	Terminal Box
S-112	Screw for. T.Box

PART NO.	PART NAME
S-113	Terminal Plate
S-114	Rubber Bushing
S-115	Air Guide
S-116	Drive Handle
S-117	Screw for Handle
S-118	Nut for Handle
S-119	Cover for Handle
S-120	Screw for Cover
S-121	Switch
S-122	Connecting Terminal
S-123	Screw for Earth
S-124	Drive Gear
S-125	Roll Pin
S-126	Bearing
S-127	Gear Box
S-128	Screw for G.Box
S-129	Drive Gear Metal
S-130	Cover for Metal
S-131	Knife Gear
S-132	Washer for Gear
S-133	Screw for Gear
S-134	Ring for Gear
S-135	Knife(8-sided) *Round(option)
S-136	Lock Nut for Knife
S-137	Knife Oiler
S-138	Screw for Oiler
S-139	Spring for Oiler
S-140	Oil Felt
S-141	Knife Guard
S-142	Spring for Guard
S-143	Screw for Spring
S-144	Safety Plate
S-145	Screw for Plate
S-146	Spring washer for Plate
S-147	Grease Cup

PART NO.	PART NAME
S-148	Cap for Grease Cup
S-149	Grinder Shaft
S-150	Emery Wheel
S-151	Grinder Spring
S-152	Grinder Collar
S-153	Spring for Collar
S-154	Sharpening Switch
S-155	Grinder Arm
S-156	Screw for Grinder Arm
S-157	Standard
S-158	Screw for Standard (upside)
S-159	Screw for Standard (bottom)
S-160	Guide Plate
S-161	Screw for Guide Plate
S-162	Base Plate
S-163	Front Rloocer
S-164	Roller Shaft (front)
S-165	Roller Shaft (rear)
S-166	Screw for Roller shaft
S-169	Oiler
S-170	Lock Shaft
S-171	Grease
S-172	Cleaning Brush
S-173	Wrench
S-174	Code Complete with earth
S-175	Lower Blade
S-176	Screw for Lower Blade
S-177	Washer for Lower Blade
S-178	Pressure Spring for Lower Blade
S-179	Screw for Pressure Spring
S-180	Rear Roller Set
S-181	Switch Cap
S-182	Nut for Knife Gear Screw
S-183	Washer for Knife Gear Screw